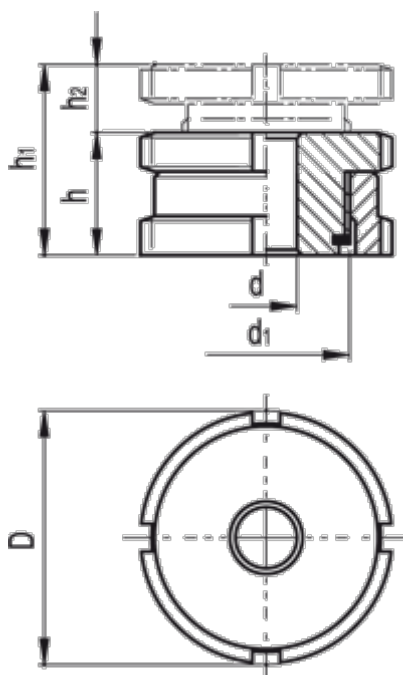


Article number: 20665259B
Description: E+G Levelling set
GN 350.1-70-26-NI

Measures



C-spanner DIN 1810 = A68-75
d = 26.0
D = 70
d1 = M50x1.5
For screw = M24
h = 33
h1 = 43
h2 = 10

Max static load (N) = 225.0
Static preload (N) = 97.3
Weight (g) = 744